

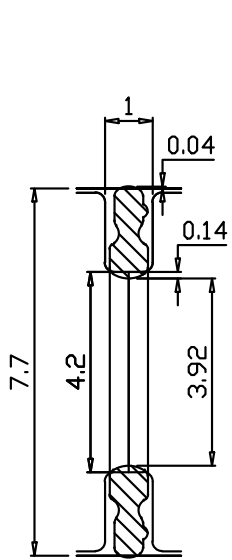


Twin Seal Tech Pvt. Ltd.

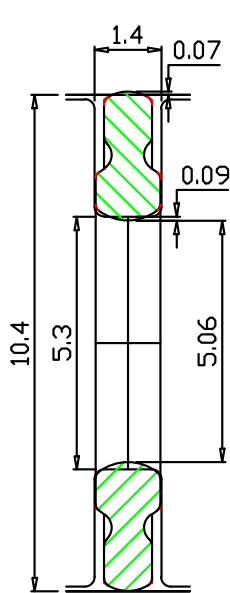
HNBR Seals specially developed for pneumatic valves...

1. Good mechanical durability
2. Good Abrasive resistance
3. Better heat and oxidation stability – ageing.. good shelf life..
4. Best resistant to Ozone...
5. Temperature range for -30 Deg C to +150 Deg C.

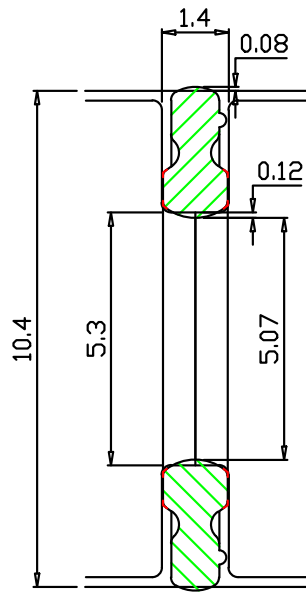
HNBR is a material produced by the complete or partial hydrogenation of the butadiene components of normal NBR polymerizates. Accordingly HNBR offers media resistance comparable to that of NBR, but is more stable when exposed to heat and oxidation. It also demonstrates a high degree of mechanical durability and improved wear resistance.



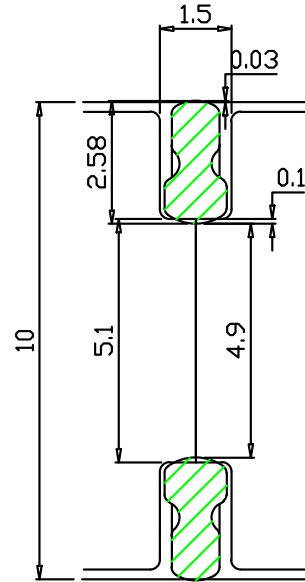
C2527



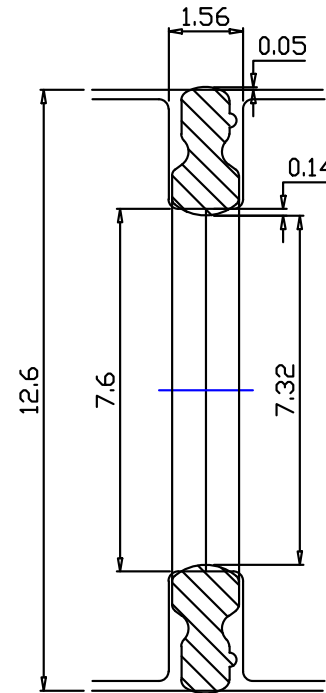
C2417



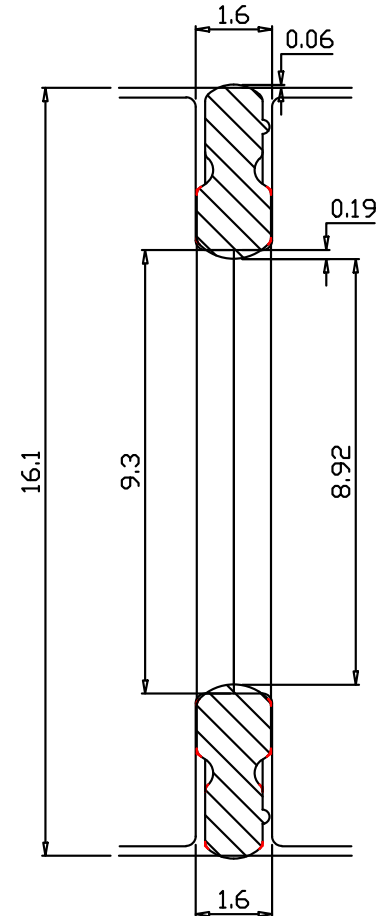
C2967



C2352



C2526



C3245