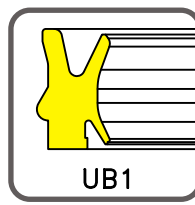


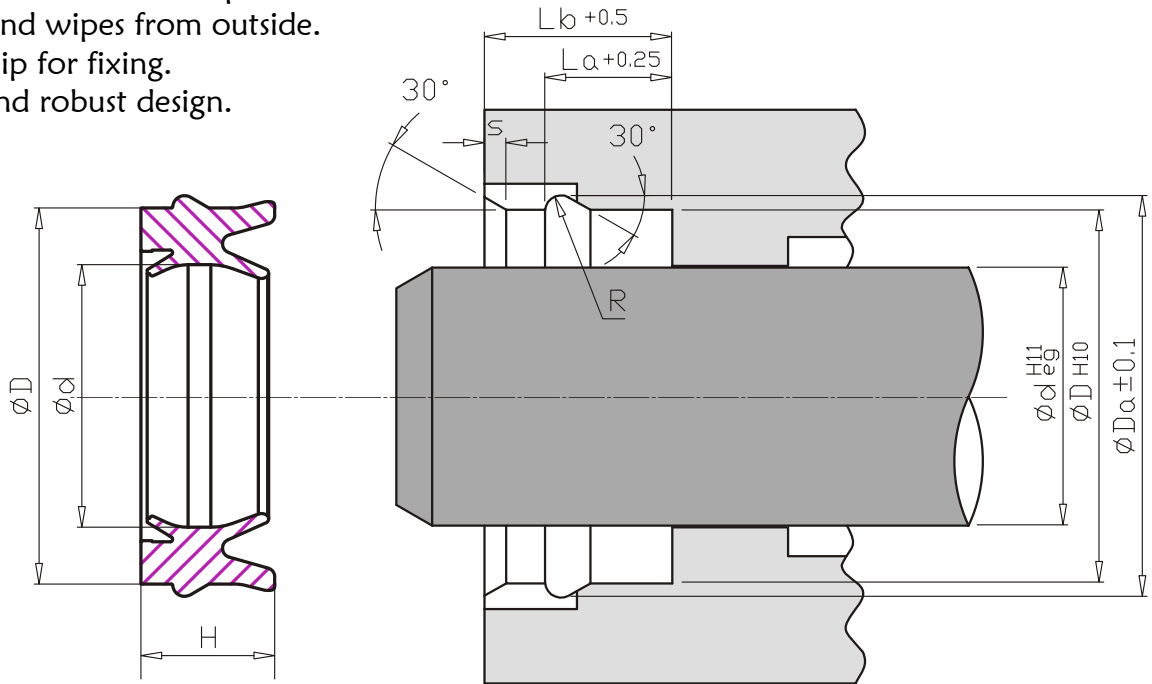
UB1 Series

Pneumatic Rod cum Wiper Seal (PU)



Twin Seal Tech Pvt. Ltd.

- *Combination Seal with minimum space.
- *Seals from inside and wiper from outside.
- *Does not need circlip for fixing.
- *Long Service life and robust design.



ESTER TPU 95 PHYSICAL PROPERTIES

APPLIED CONDITION:			Hardness	95 Shore A	DIN53505
Working Pressure: ≤ 1.6 MPA			Tensile Strength	50 MPA	ASTMD2240
Working Temperature: $-30^\circ\text{C} \sim +80^\circ\text{C}$				7252 psi	DIN53504
Surface Speed: ≤ 1.0 m/s			Elongation	503 %	ASTM D-412
Abrasion Resistance	40mm ³	DIN53516	Tear Strength	140 N/mm	DIN53515
Compression set		DIN53517		799 pli	ASTM D-624
24 hrs @70 °C	27.5%	ASTM D-395	Standard Compound	KC9502AN	
Specific gravity		DIN53479	Color	Gray ●	
	1.20 g/cm ³	ASTM D-972			

CODE	d(mm)	D2	H	Da	La	Lb	R	s
UB11219	12	19	10.0	21.0	7.7	12	1.0	1.5
UB11220	12	20	10.7	22.0	8.8	13	1.1	1.5
UB11222	12	22	10.7	24.0	8.8	13	1.1	1.5
UB11424	14	24	10.7	26.0	8.8	13	1.1	1.5
UB11626	16	26	10.7	28.0	8.8	13	1.1	1.5
UB11826	18	26	10.7	28.0	8.8	13	1.1	1.5
UB11828	18	28	10.7	30.0	8.8	13	1.1	1.5
UB12030	20	30	10.7	32.0	8.8	13	1.1	1.5
UB12232	22	32	11.2	34.5	9.4	14	1.4	2.0
UB12535	25	35	11.2	37.5	9.4	14	1.4	2.0
UB13040	30	40	11.2	42.5	9.4	14	1.4	2.0
UB13242	32	42	11.2	44.5	9.4	14	1.4	2.0
UB14050	40	50	11.2	52.2	9.4	14	1.4	2.0
UB14555	45	55	12.2	58.2	10.4	15	1.8	2.0
UB15060	50	60	12.2	63.2	10.4	15	1.8	2.0
UB16375	63	75	13.0	78.2	11.4	16	1.8	2.0